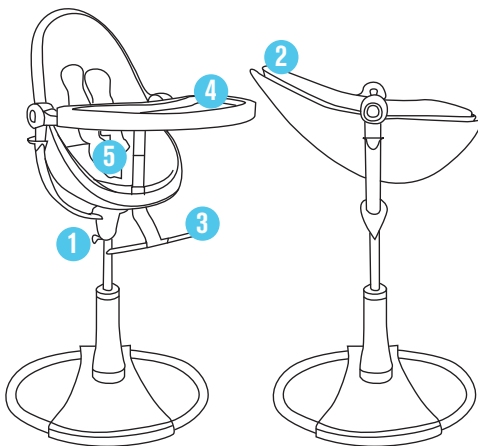


### QUICK FOLD LIGHTWEIGHT HIGHCHAIR

These highchairs are simple in design and as the name suggests, they're light and easy to fold up, making them extremely portable and ideal for travelling and storage.

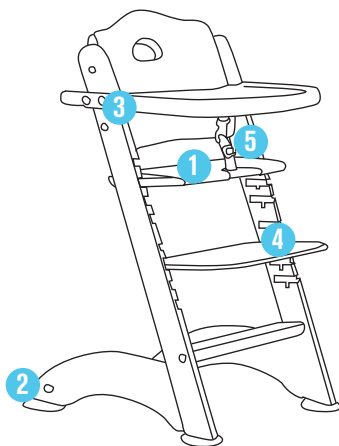
- ★ Value-for-money
- 1 Easy fold metal frames for storage and transport
- 2 Easy to wipe clean
- ★ May have a fixed easy-clean tray or a detachable
- 3 Wipe-clean padded PVC seats for extra comfort.
- 4 Safety harness to keep your wee one secure



### ADJUSTABLE, MULTI-FUNCTION HIGHCHAIR

These highchairs have all the features of basic models but also offer extras like well-padded seats, wheels to roll the highchair from one place to another, detachable trays that go on and off easily, adjustable seat height allowing you to feed your baby at the dining table or from the comfort of a chair.

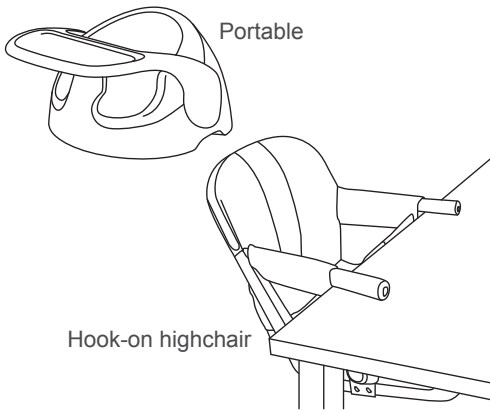
- 1 Adjustable seat height
- 2 Multi recline positions
- 3 Adjustable footrests
- 4 Removable tray
- 5 Safety harness to keep your wee one secure



### WOODEN HIGHCHAIR

The perfect style statement, wooden high chairs look great alongside existing furniture. With adjustable tray settings, multiple seat and footrest heights allowing the highchair to grow safely and comfortably with your child. Their smooth lines mean fewer places for food to hide, which means less cleaning for you which can only be a good thing.

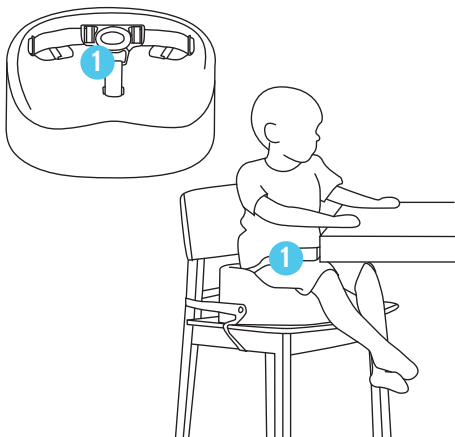
- ★ Solid Beech
- 1 Padded seat liner
- 2 Sturdy base with leg grip
- 3 Adjustable tray settings
- 4 Multiple seat and foot rest heights
- 5 Safety harness to keep your wee one secure



## PORTABLE OR HOOK-ON HIGHCHAIR

Great for munching on the move, portable highchairs come in a variety of different styles, from ones with arms that clamp on to the table to fabric styles that simply slip over a chair. Ideal for travelling and generally cost less than standard highchairs.

- ★ Cost less than standard highchairs
- ★ Foldable or packs flat for on the go!
- ★ Machine washable materials
- ★ Suitable for indoor & outdoor use
- ★ Safety harness to keep your wee one safe



## FEEDING BOOSTER SEAT

These attach to a regular dining chair with the straps provided. They're lightweight and extremely portable, making them ideal for eating out or when travelling. Whilst they help your child sit comfortably at the right height for meal times, many models come with their own tray so they don't have to be used at the table.

- ★ Perfect for toddlers who have grown out of a highchair
- ★ Available to be height adjustable to adapt to different table heights
- ★ Compact and easy to carry
- ★ Easy to wipe clean
- 1 Safety harness to keep your wee one safe



WOULD LIKE TO SHOP NOW